



File Name: Buffalo wli-tx1-g54 manual.pdf

Size: 1953 KB

Type: PDF, ePub, eBook

Category: Book

Uploaded: 7 May 2019, 13:21 PM

Rating: 4.6/5 from 728 votes.



Download Now!

Please check the box below to proceed.



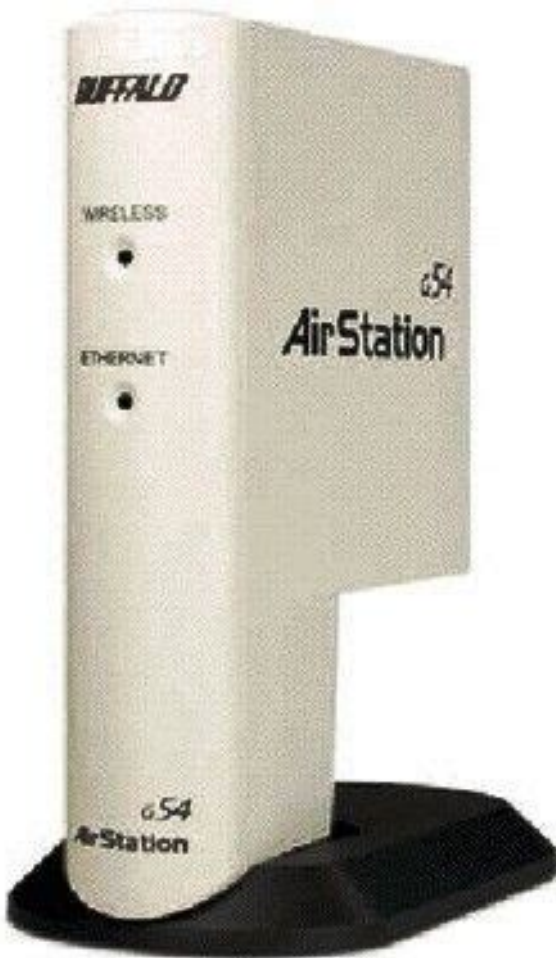
I'm not a robot



reCAPTCHA
Privacy - Terms

Book Descriptions:

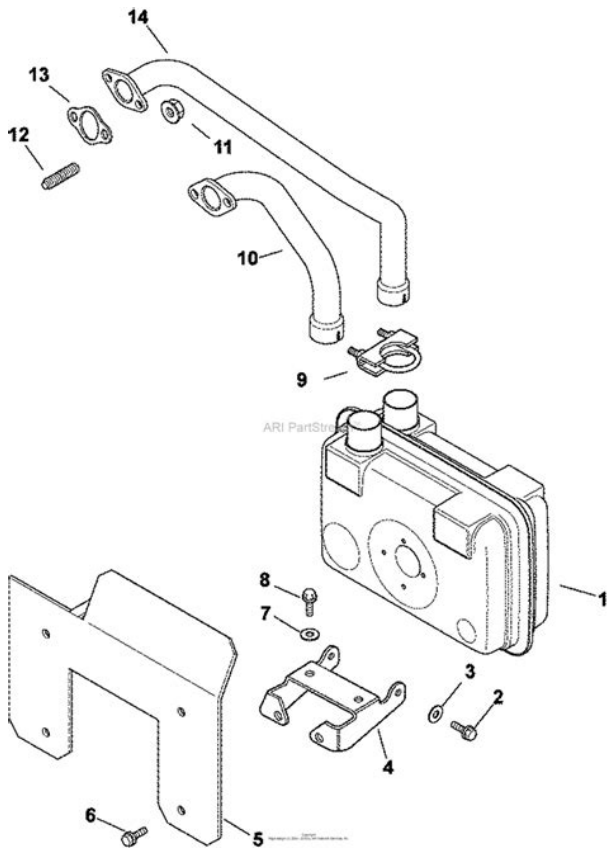
Buffalo wli-tx1-g54 manual



Ethernet ports are usually located in the rear of the computer. Plug the AC Adapter into a wall socket surge recommended. Connect the AC Adapter Converter. Open Preferences and select Network. Set Show to Builtin Ethernet Set Configure to Manually Enter 1.1.1.2 into the IP Address field. Open your Web browser 4.5 or later and enter 1.1.1.1 into the URL field. The login screen will open. Enter root as the User ID. Leave the password field blank. Click OK The main configuration screen of the 54Mbps Ethernet Converter will open. For more information about configuring and operating your Wireless Ethernet Converter, refer to the User Manual on the Utility CD or the Buffalo Support Web Site The Ethernet Converter will scan for available wireless networks. Connect Using should be set to use your active Ethernet NIC Card. Click Properties Select Obtain and IP Address Automatically. Click OK. Click OKagain under the Network Properties window. For more information about configuring and operating your Wireless Ethernet Converter, refer to the User Manual on the Utility CD or the Buffalo Support Web Site OSX Open your System Preferences and select Network. All Rights Reserved. Buffalo Technology USA Inc., is part of MELCO INC., the global manufacturers of IT peripherals, including memory, networking, and multimedia products, inside many of the worlds computers. All trademarks are property of their. Please check your inbox, and if you can't find it, check your spam folder to make sure it didnt end up there. Please also check your spam folder. For detailed information, refer to the User Manual on the Utility CD or refer to the Ethernet ports are usually located in the rear of the computer. Connect the AC Adapter to the Ethernet Converter. Connect Using should be set to use your active Ethernet NIC Card. Set Show to

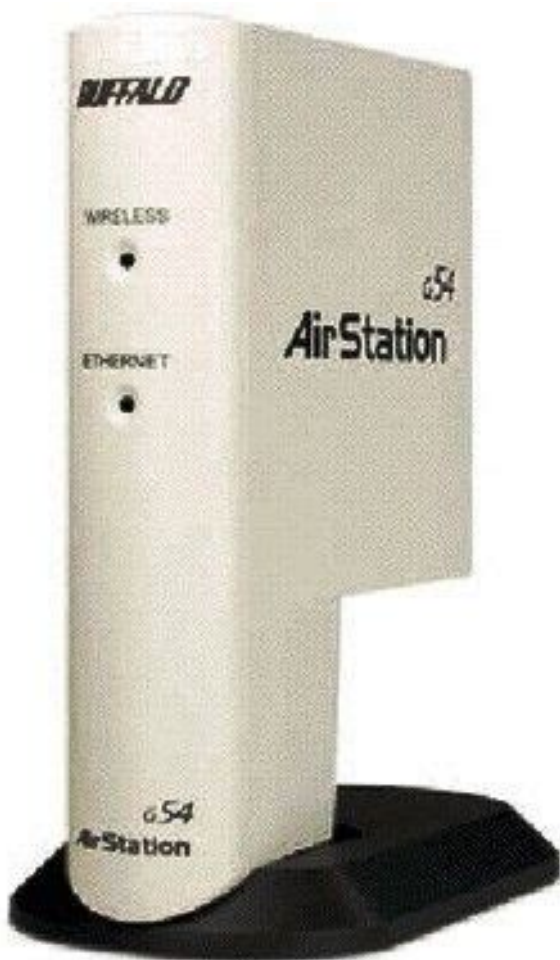
Built-in Ethernet. For detailed information, refer to the User Manual on the Utility CD or refer to the Buffalo Wireless Support Web Pages. <http://servmed.net/userfiles/dean-sr142gn-deep-fryer-manual.xml>

- **buffalo wli-tx1-g54 manual, buffalo wli-tx1-g54 manuals, buffalo wli-tx1-g54 manual pdf, buffalo wli-tx1-g54 manual download, buffalo wli-tx1-g54 manual transmission.**



Contents If any items are missing, please contact System Requirements PY0029007DM20 Rev A Ethernet Converter. Ethernet ports Adapter Ethernet. Converter. Windows Setup Connect Using should be set to use Select. Internet. Click Properties Select Use the following IP. Address. Enter 1.1.1.2 into the IP Address field. Enter 255.255.255.0 into the Subnet. Mask field. Click OK. Click OK again under the Network Properties Macintosh Setup. OS X Open your System. Preferences and select Network. Set Show to Built-in Ethernet. Set Configure to Manually. Enter 1.1.1.2 into the IP Address Enter 255.255.255.0 into the. Subnet Mask field. Click Apply Now. OS 9 Open your Control Panels. Set Connect via to Built-in. Ethernet. Set Configure to Manually. Enter 1.1.1.2 into the IP Address Enter 255.255.255.0 into the. Subnet Mask field. Close and Save. Enter root as the User ID. Leave the password field blank. Click OK Converter will open. Click Search in the ESSID Select the SSID ESSID ASCII or HEX and enter the. WEP password. Click Set to Connect. The Ethernet Converter is now associated with the Local Area Network. All settings will be retained by the Ethernet Converter when moved between Some screens may vary from those shown in this guide, depending on the By accepting the default configuration settings, the Ethernet. Converter Manager should discover and configure properly. For more information User Manual on the Utility CD or the Buffalo Support Web Site Connect Using should be set to use your Click Properties. Automatically. Click OK. Click OK again under the Network Properties All settings will be retained by the. Wireless Ethernet Converter when OS X Open your System. Preferences and select Network. Set Show to Built-in Ethernet. Set Configure to Using DHCP. Click Apply Now. OS 9 Open your Control Panels. Set Connect via to Built-in. Ethernet. Set Configure to Using DHCP. Server. Close and

Save. <http://xn--d1abmjpxlh.xn--p1ai/userfiles/file/dearborn-2-bottom-plow-manual.xml>



Some screens may vary from those shown in this guide, depending on the For more information about configuring and operating Technical Support. Buffalo Technology offers tollfree technical support 24 hours a day, 7 days a week Available on the AirNavigator CD enclosed with your purchase. The constantly evolving state of wireless products and operating systems requires. Buffalo Technology to occasionally release updated software to take advantage of For the most recent FCC Compliance Statement See owners manual for complete statement. This device complies with Part 15 of the FCC Rules. Operation is subject to the following EUROPEAN PARLIAMENT AND THE COUNCIL of 9 March 1999 on radio equipment and All Rights Reserved. Buffalo Technology USA Inc., is part of MELCO INC., the global manufacturers of IT peripherals, including memory, All trademarks are property of their File Type Extension pdf. PDF Version 1.5. Linearized No. Page Count 8. Has XFA No. XMP Toolkit XMP toolkit 2.9.113, framework 1.6. About uuid2bdb19ae80f949b8924d3c023d907f0b. Producer Acrobat Distiller 6.0 for Macintosh. Modify Date 20031028 1024150600. Create Date 20030911 1648250500. Metadata Date 20031028 1024150600. Document ID uuid50c9b5de4a111d786c3000a27953cd2. Creator davezac. Author davezac. To calculate the overall star rating and percentage breakdown by star, we don't use a simple average. Instead, our system considers things like how recent a review is and if the reviewer bought the item on Amazon. It also analyzes reviews to verify trustworthiness. See All Buying Options Add to Wish List Disabling it will result in some disabled or missing features. You can still see all customer reviews for the product. Please try again later. SillyConValleyEscapee 4.0 out of 5 stars Both had Japanese language firmware in them. Had to flash with v2.21 off the website to restore English setup interface. After that, they work great. Please try again later. Please try again

later.

You can find these information in Buffalo router manuals. But if you do not have the manual for your router or you do not want to read the whole manual to find the default login information then you can use the quick guide below. Alternatively you can type the following URL in the address bar The default password is blank. Just select your device from the box below and you will be redirected to our guide especially for your device that includes a user manual. Sometimes the username and password doesnt work that we mentioned in the top of this guide. Most people dont know their router IP address. Most times youll find this IP on the bottom or back of your router device. But if you are not able to find this IP on your router or in the user manual then you can try some methods to get the router I. In the list below we listed all known router IPs for the manufacturer Buffalo. But some are available by an default URL as well. This is very useful if you dont know your default router gateway. This can be done easily by clicking on the reset button at the back or at the bottom of your router. If you hold down this small button for approximately 20 seconds, you may have to use a toothpick, then your modem will get restored to the factory settings. What you need to keep in mind is that when you reset your modem, you will lose your connection online. It is therefore better to take an experts assistance in this regard. Note If you have not enough information, it is obviously recommended that you should get help from a person who has all the knowledge about this topic. Please help InfoDepot Wiki by expanding it, adding pictures, and improving existing text. Enter a name for the connection, Click ok. Choose com port you adapter is plugged into, Click ok. Set. Click ok. Click File Save As, and select a place to save it to so you Click on Serial under Connection. Click Session Click Save. Click Open. Learn More Most WiFi usage is over the 802.



AirStation

WHR-300HP2 / WHR-600D

User Manual



www.buffalotech.com

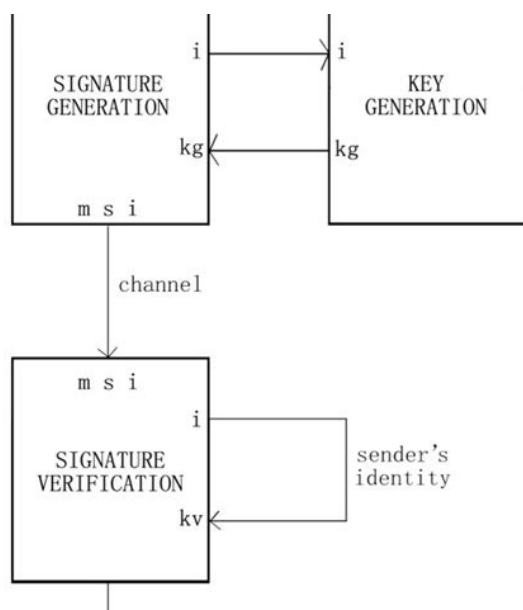
Page 2

<http://www.drupalitalia.org/node/73431>

11b standard, as it offers affordable solutions with excellent range and has been around for a few years now. It could be mistaken for any of Buffalo's other products from its AirStation range as they

all share the same basic chassis. The WLAG54C is a basic access point that caters more for the home or small office user and should cope well with 1020 clients. From there on in it gets a little more complicated, as you need some basic network knowledge to get it up and running. The supplied CD installs the access point to the existing network, but during the installation a shortcut on the desktop is created that is supposed to give you quick access to the admin interface. This is easy enough to fix if you know what IP address was allocated, but that's not always easy to find out. Hopefully this is something Buffalo will rectify on a future driver CD. As long as you have a Buffalo wireless adaptor around you can get around this problem by installing Buffalo's client manager software in which you can locate the access point. You can also change various settings here and load the web based admin interface of the access point. There is also a button that takes you in to the advanced settings. This is where you can get a bit lost in all the different settings and even cause the access point to stop working if you're not careful. Luckily there is hard reset button at the bottom of the unit for this kind of situation. Although most products now ship with electronic documentation, I still prefer having a detailed paper manual in front of me. The PDF file covers most of the available settings, but as it pertains to more than one product, some settings differ from the manual. The advantage of using Mac address filtering over WEP is that you don't lose any speed, but the data going across the airwaves is not encrypted which might be an issue if you're transmitting sensitive information.

<http://anapanic.com/images/bose-lifestyle-15-manual.pdf>



This can however be useful, as you can set up your wireless network to use a different IP range from your wired network. You also have the option to use the WLAG54C as a wireless bridge, but why you would want to do this is a bit of a mystery. However, as I discovered, the WLAG54C can be found for very similar prices to that of Buffalo's wireless bridge and if you can find it for less, then it's a viable alternative. If you're using the WLAG54C exclusively with Buffalo 802.11g wireless adapters then there is a Turbo option in the access point that improves the data throughput rate and this can be handy if you plan to transfer large chunks of data across the airwaves. Once set up and configured the WLAG54C will just sit there and do what it's supposed to do. There is of course a small power brick, a flat network cable, a desktop stand and a wall mount. It's great to see a network cable in the box as you often have to find your own when purchasing a network product. In general terms the range was excellent and I had no problems using a Buffalo USB adapter and a wireless bridge with the WLAG54C access point. I had excellent to good reception everywhere around my flat and the transfer rate never dropped below 54Mbit. This is very impressive but if you find yourself having

problems in your local environment Buffalo offers a booster antenna the WLENDR that is meant to boost the signal strength of the access point. However, this proves one thing and that is that the WLAG54C features a very good internal antenna already. I used a Buffalo WLIUSBG54 adapter to test the transfer speed, but to limit any interference factors this was done at about one meter range. This might not show real world performance, but it will give an indication of the speeds you can expect to see from an 802.11g wireless network. However, it's still important to remember that even 802.11g doesn't come close to a wired network in terms of speed, but it is a lot faster than the older 802.11b standard.

<http://andeanpaths.com/images/bose-lifestyle-18-installation-manual.pdf>



The turbo setting in the access point did increase the performance somewhat, but not as much as I expected. The price is also reasonable at 81.07 inc VAT, but if you don't already have a network infrastructure in place, it might be worth looking at an integrated router with wireless capabilities. The signal range is good and will make a solid basis for your wireless network needs. We use industry standard tests in order to compare features properly. We'll always tell you what we find. We never, ever accept money to review a product. Data will be updated one by one after confirmation. About ISP other than this, it is added one by one, immediately after being able to confirm. About apparatus other than this, it is added one by one, immediately after being able to confirm. You can find this information in the Buffalo user manual. However, if you are not able to access the user manual of your device, you can take advantage of the summary. You can also download user guides in pdf format for many router brands and models. Buffalo Router Admin Login Guide Follow the steps below to access the admin panel of your device Open your favorite Internet browser Google Chrome, Mozilla Firefox, Opera, Internet Explorer, etc.. Type the 192.168.11.1 IP address in the browser address bar and press Enter. If you do not know the default IP address of your router, click here. This page will automatically detect the IP address of your device. When you connect to the IP address, you will be asked to enter your user and password. If you don't know your default username and password, you can use the table below. After typing your username and password, press Enter.

After this process, you will have access to the router admin panel. I Can't Login to the Buffalo Router Admin Panel If you cannot access the admin panel using the default login, you can use the list below. Select your device model from the list. You can find other frequently used username and passwords on the model detail page.

To do this, you need to know the IP address assigned by the manufacturer to your device. This IP address is usually written on the label on the bottom or the back of the router and in the user manual. For this reason, manufacturers have assigned some URLs to easily access the admin panel. If you can't reach the admin panel of your Buffalo modem using the above methods, there is only one thing you can do. Press and hold the reset button on the back of the device for 1520 seconds with a needle or toothpick. As a result of this operation, all the settings of your device will be restored to the factory settings. You will also be disconnected from the Internet. Therefore, if you do not have enough information, you can contact a specialist for technical support. If you continue to use this site we will assume that you are happy with it. Ok Privacy policy. For other uses, see Air station. CS1 maint archived copy as title link By using this site, you agree to the Terms of Use and Privacy Policy. Ethernet Cable, AC Adapter WLITX1G54, WLITX1G54, WLITX1G54, WLITX1 G54, WLI TX1 G54 Select a Consumer Priority Service Plan Ethernet Cable, AC Adapter WLITX1G54, WLITX1G54, WLITX1G54, WLITX1 G54, WLI TX1 G54 Buffalo Tech WLITX1G54 54Mbps Wireless Ethernet Converter, 7ft. Description The AirStation 54 Mbps Wireless Ethernet Converter delivers instant wireless connectivity to any Ethernetbased device. No software is needed. Wirelessly connect printers, scanners, hubs and switches, legacy PC and Apple computers as well as gaming consoles with an available Ethernet port. The 54 Mbps Ethernet Converter can be configured by any operating system via a simple Web browser interface. The 54 Mbps Ethernet Converter supports the addition of optional external 2.4 GHz antennas to boost range and performance making this the fastest, scalable, instant wireless client solution. It comes with all manufacturer supplied accessories, and full manufacturers USA warranty. Buffalo WLI2USB2.

www.scmphotography.co.uk/wp-content/plugins/formcraft/file-upload/server/content/files/1626c51488e8cb---carlsbro-eclipse-12-manual.pdf

Realtek driver for RTL8187 and Windows XP 32bit. A complete list of available wireless device drivers for Realtek RTL8187. On this page, you will find all available drivers listed by release date. Use this page to survey the area, display available access points, and connect to available access points. A PC or workstation on. Using AOSS to Connect to Your Network Note If you prefer to configure your network with the Windows XP Zero Configuration tool, consult the User Manual on your AirNavigator CD for instructions, or consult your Windows XP documentation. Buffalo's Remote Management Service for End Users. Where To Buy Support. Get Support Forums. Network Attached Storage. For Business. View All For Business. Buffalo Wli3tx1g54 Manual View and Download Buffalo WLIH4D1300 user manual online. Get all Buffalo Technology manuals. Manuals and free owners instruction pdf guides. Find the user manual and the help you need for the products you own at ManualsOnline. Find the office and computer equipment manual you need at ManualsOnline. User Manuals, Guides and Specifications for your Buffalo WLIPCI54 Network Card. Wireless connections may be affected as physical conditions and circumstances vary. Method of spreading a wireless signal into wide frequency bandwidth. This service automatically polls the area for available wireless access points. User Manuals, Guides and Specifications for your Buffalo WLICBG54S Adapter, Lawn Mower, Network Card, Switch. View and Download Buffalo WLI2PCIG54S user manual online. 125 High Speed Mode Wireless PCI Adapter. WLI2PCIG54S PCI Card pdf manual download. Also for Wli2pcig54. Warranty Information Technology installed components. The channel indicates what range of frequencies the radio waves emitted by the wireless device are occupying. Page 8 Click the Next button to continue the wizard. I have more than one Air Navigator CD.

asian-autoparts.com/ckfinder/userfiles/files/columbus-v-900-gps-manual.pdf

A NOTE FOR OUT OF WARRANTY CUSTOMERS Buffalo does provide a method for you to get support after the warranty period has expired, but the serial number is still required. Comments to this Manuals Your Name. Why 5G is out of reach for more people than you think 5G promises to revolutionize mobile, but those Any other thirdparty products, brands or trademarks listed above are the sole property of their respective owner. Comments to this. WLI2CBG54L. Inprocomm home page not accessible since spring of 2005. BUFFALO WLI2 USB2 G54 DRIVER FOR WINDOWS 10 Restart your PC if prompted. One or more wireless networks are available appears as a caption accompanying the icon. The channel indicates what range. Your browser either doesnt support Javascript or you have it turned off. To see this page as it is meant to appear please use a Javascript enabled browser.

<http://www.drupalitalia.org/node/73432>